



MODEL T10051 12" BENCH SHEAR INSTRUCTIONS

!WARNING

1. Overloading this tool can cause injury from flying parts if the tool breaks. Do not exceed the tool capacities.
2. NEVER operate the bench shear without the plastic safety guard in place.
4. Always chamfer and de-burr sharp sheet metal edges before bending in the bench hand brake. Sharp edges on sheet metal can result in severe cuts.
5. NEVER place your hands between the blades of the shear.
6. Always wear leather gloves and approved safety glasses when using this machine.
7. Inspect the bench shear for any cracked components or loose fasteners. Correct any problems before use. Loose hardware or cracks could result in sudden, unexpected movements during use.
8. DO NOT allow children to play with the bench shear.
9. If at any time you are experiencing difficulties performing the intended operation, STOP using the tool and contact our Technical Support at (570) 546-9663, or ask a qualified expert how the operation should be performed.

If you need help with your new item, call our Tech Support at: (570) 546-9663.



Figure 1. Model T10051.

Specifications

Maximum Cut Length	12"
Cutting Capacities (Thickness):	
Steel	0.020"
Aluminum.....	0.050"
Brass	0.025"
Weight	28 lbs.

!WARNING

Damage to your eyes and hands could result from using this tool without proper protective gear. Always wear safety glasses and heavy gloves when operating this machine.



Inventory (Figure 2)

- A. Bench Shear (Not shown)..... 1
- B. Safety Guard 1
- C. Work Stop Assembly..... 1
- D. Handle 1
- E. Hex Wrenches 2.5, 4mm..... 1 Ea.

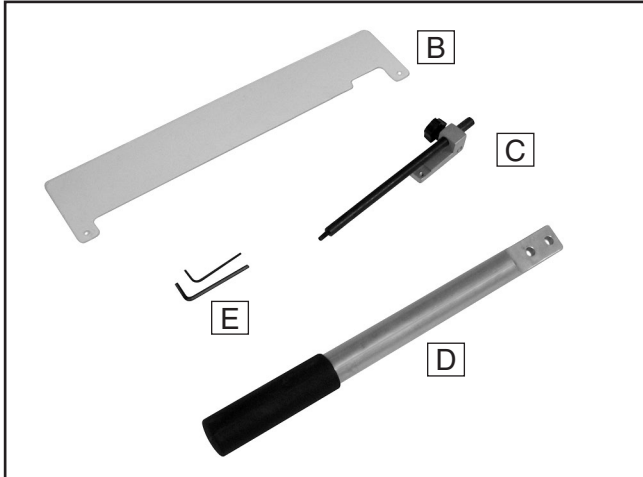


Figure 2. Inventory.

Assembly

1. Attach the safety guard by removing the pre-installed Phillips head screws from the tool base, aligning the guard over the holes in the base, then securing it with the just-removed Phillips head screws (Figure 3).

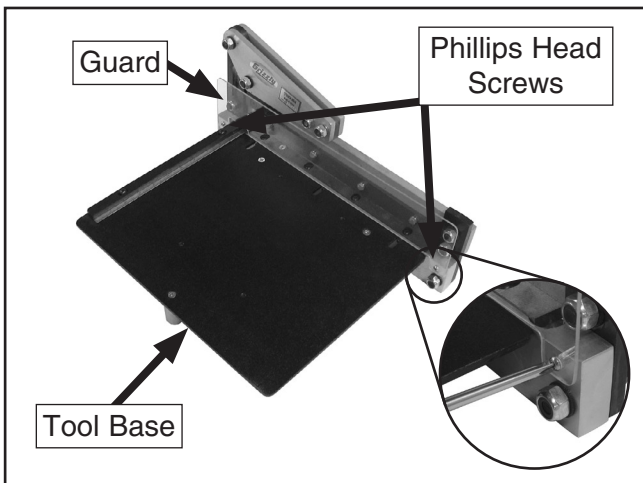


Figure 3. Safety guard attachment.

2. Attach the handle by removing the pre-installed hex bolts, flat washers, and lock nuts, aligning the holes in the handle with those in the handle base, then securing it with the just-removed hex bolts, flat washers, and lock nuts (Figure 4).

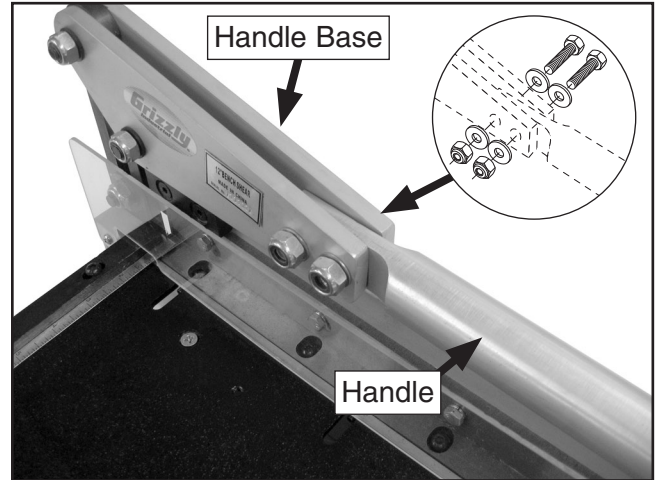


Figure 4. Handle attachment.

3. Attach the work stop assembly by threading it into one of the three threaded holes on the side of the tool base (Figure 5).

Note: This step is optional and only necessary when you plan to use the work stop. The mounting location of the work stop depends on the size of your workpiece and the operation you are performing.

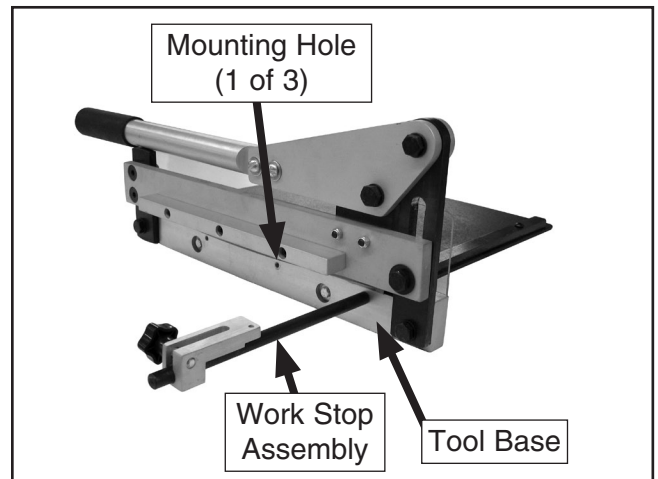


Figure 5. Work stop attachment.



Basic Operations

1. Mark your workpiece along the line that you want to shear.
2. Align the mark you made in **Step 1** with the shear blades.

!WARNING

Injury to your hands and fingers could result from improper use of this tool. Never place your hand in the path of the blade while using this tool and never use the tool without the safety guard in place.

NOTICE

If you have never used this type of machine or equipment before, we strongly recommend that you read books, trade magazines, or get formal training before beginning any projects. Regardless of the content in this section, Grizzly Industrial will not be held liable for accidents caused by lack of training.

3. Use your left hand to hold the workpiece steady on the tool base while you lower the handle with your right hand to produce the cut. Do not reach around the blade with your right hand to hold the workpiece.

Work Stop

The Model T10051 is equipped with a work stop that allows you to create identical cuts in multiple workpieces.

To use the work stop:

1. Mark your workpiece along the line that you want to shear.
2. Align the mark you made in **Step 1** with the shear blades.
3. Slide the work stop against the workpiece and tighten the work stop knob.
4. For the following cuts, place the workpiece on the tool base so that it rests against the work stop, then proceed with the cut.

Cleaning

Cleaning the Model T10051 is relatively easy. Periodically wipe down the machine to remove dust and oil. Treat all unpainted surfaces with a non-staining lubricant after cleaning.

Lubrication (Figure 6)

Lubricating the Model T10051 consists of applying oil to the pivoting and sliding surfaces.

To lubricate the model T10051:

1. Apply 3-4 drops of oil to the areas indicated in **Figure 6** so that oil will penetrate between the sliding surfaces. Raise and lower the handle several times to disperse the oil.
2. Wipe any excess oil from these areas to prevent dust and grime build-up.



Figure 6. Lubrication locations (left side shown).



Blade Adjustments

The fixed (lower) blade on the Model T10051 is adjustable to allow for different materials and to compensate for wear to the blades. The blade position is factory set and only needs to be adjusted if there is excessive binding between the fixed and moving blade or if a gap exists between the blades that causes the workpiece to bend, rather than shear between the blades.

The ideal blade adjustment will vary depending on the material and dimensions of your workpiece. Above all, make sure the fixed blade is parallel with the moving blade and contacts it evenly along the entire width.

To adjust the blade:

1. Remove the blade guard.
2. Loosen, but do not remove the four blade cap screws (**Figure 7**).

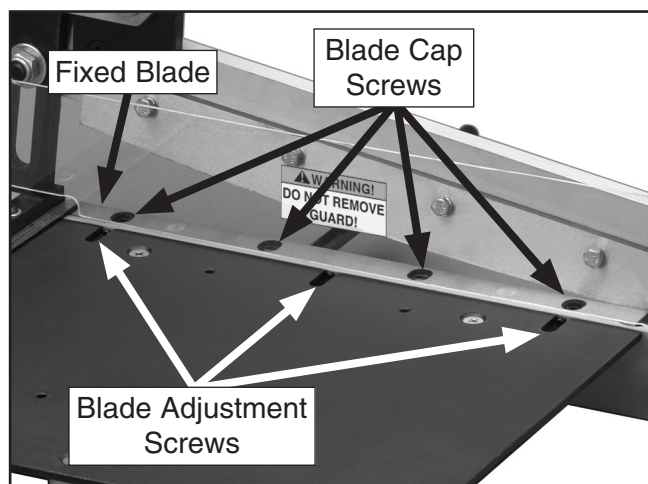


Figure 7. Blade adjustment.

3. Use a ball head 3mm hex wrench to adjust the blade adjustment screws to fine-tune the position of the fixed blade (**Figure 8**).

—Turning the blade adjustment screw clockwise will move the fixed blade outward, towards the moving blade.

—Turning the blade adjustment screw counterclockwise will move the fixed blade inward, away from the moving blade.

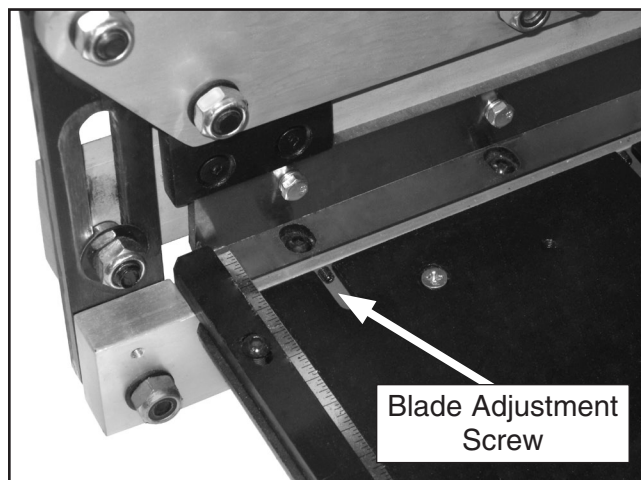


Figure 8. Adjustment screw.

4. Once the fixed blade is set parallel to the moving blade, tighten the four blade cap screws, then re-install the blade guard.

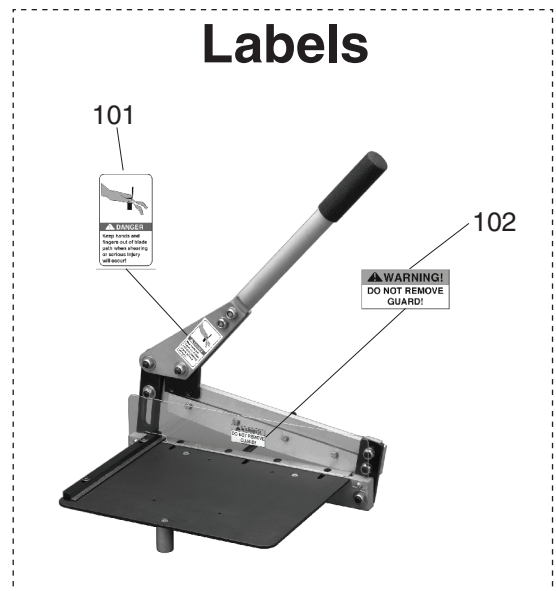
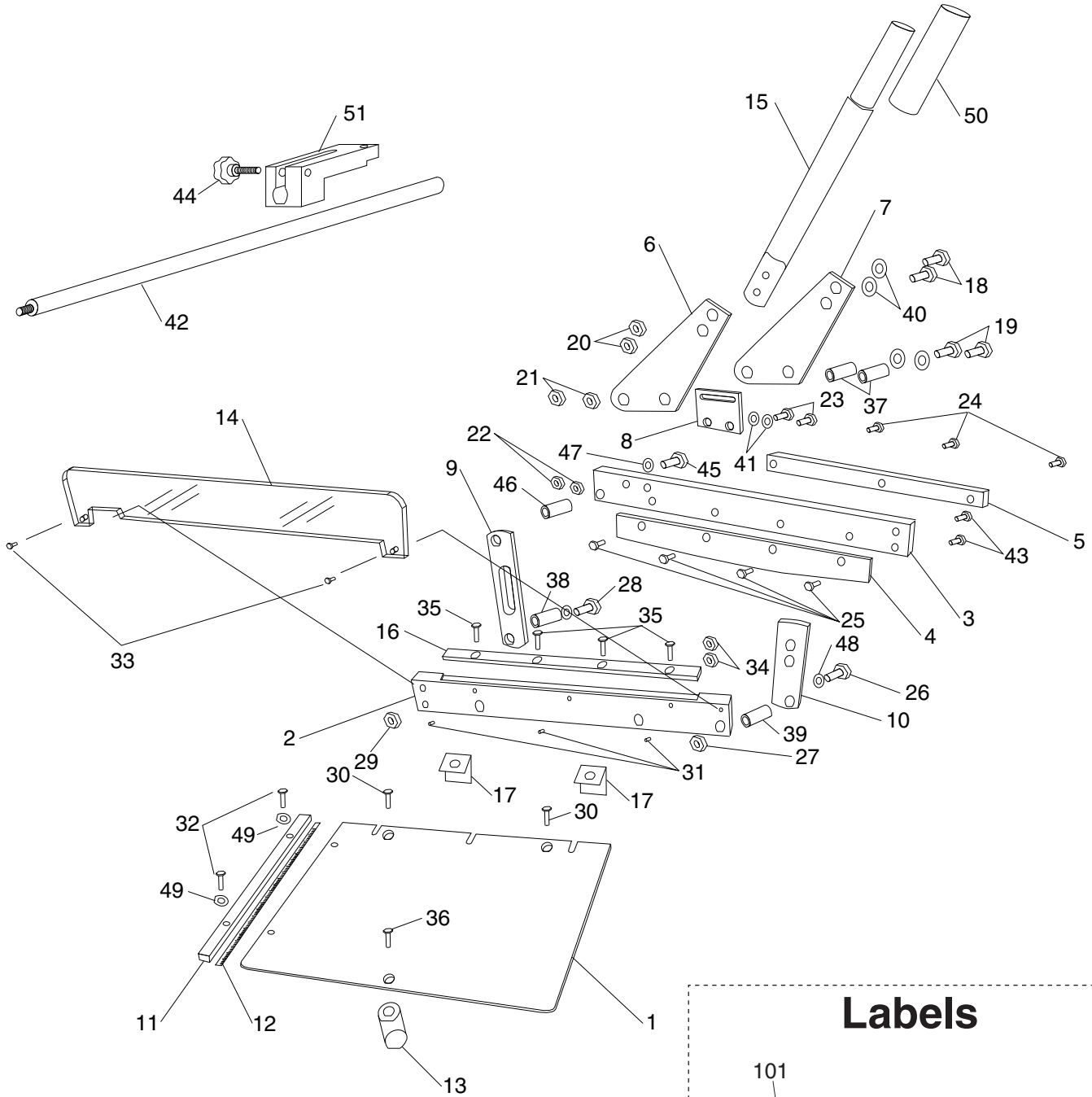
5. Test the performance of the shear on a scrap workpiece.

—If the results are satisfactory, no further adjustment is necessary.

—If the results are not satisfactory, repeat **Steps 1–5** until the results meet your standards.



T10051 Parts Breakdown



T10051 Parts List

REF	PART #	DESCRIPTION
1	PT10051001	TABLE
2	PT10051002	FIXED BLADE BASE
3	PT10051003	MOVING BLADE BASE
4	PT10051004	MOVING BLADE
5	PT10051005	BLADE BRACE
6	PT10051006	JOINTING PLATE (LEFT)
7	PT10051007	JOINTING PLATE (RIGHT)
8	PT10051008	FASTEN PLATE 1
9	PT10051009	FASTEN PLATE 2
10	PT10051010	BLADE PIVOT PLATE
11	PT10051011	TABLE STOP
12	PT10051012	TABLE GAUGE
13	PT10051013	LEG
14	PT10051014	BLADE GUARD
15	PT10051015	HANDLE
16	PT10051016	FIXED BLADE
17	PT10051017	L-BRACKET
18	PT10051018	BUTTON HD CAP SCR M10-1.5 X 40
19	PB26M	HEX BOLT M8-1.25 X 30
20	PLN05M	LOCK NUT M10-1.5
21	PLN04M	LOCK NUT M8-1.25
22	PLN03M	LOCK NUT M6-1
23	PT10051023	SPECIAL BOLT M6-1 X 16
24	PSB38M	CAP SCREW M5-.8 X 25
25	PB08M	HEX BOLT M6-1 X 20
26	PB31M	HEX BOLT M10-1.5 X 40
27	PLN05M	LOCK NUT M10-1.5

REF	PART #	DESCRIPTION
28	PB126M	HEX BOLT M8-1.25 X 40
29	PLN04M	LOCK NUT M8-1.25
30	PFH43M	FLAT HD SCR M6-1 X 10
31	PSS75M	SET SCREW M10-1.5 X 16
32	PSBS16M	BUTTON HD CAP SCR M5-.8 X 16
33	PS09M	PHLP HD SCR M5-.8 X 10
34	PLN05M	LOCK NUT M10-1.5
35	PT10051035	BUTTON HD CAP SCR M5-.8 X 5
36	PFH43M	FLAT HD SCR M6-1 X 10
37	PT10051037	HANDLE SPACER
38	PT10051038	BRACKET SPACER
39	PT10051039	PIVOT SPACER
40	PW04M	FLAT WASHER 10MM
41	PW03M	FLAT WASHER 6MM
42	PT10051042	WORK STOP ROD
43	PT10051043	SPECIAL BOLT M10-1.5 X 30
44	PT10051044	KNOB M8-1.25 X 25
45	PB126M	HEX BOLT M8-1.25 X 40
46	PT10051046	BLADE SPACER
47	PW01M	FLAT WASHER 8MM
48	PW01M	FLAT WASHER 8MM
49	PW02M	FLAT WASHER 5MM
50	PT10051050	HANDLE GRIP
51	PT10051051	WORK STOP
101	PT10051101	BLADE DANGER LABEL
102	PT10051102	BLADE GUARD WARNING LABEL

WARNING

Safety labels warn about machine hazards and ways to prevent injury. The owner of this machine **MUST** maintain the original location and readability of the labels on the machine. If any label is removed or becomes unreadable, **REPLACE** that label before using the machine again. Contact Grizzly at (800) 523-4777 or www.grizzly.com to order new labels.

